

FIXED/REMOVABLE BOLLARD RB343-68

Crash-tested
according to



ASTM INTERNATIONAL



RELIABLE, PRACTICAL AND COST-EFFECTIVE SOLUTION TO
PROVIDE 100% SECURITY OF YOUR TERRITORY

High security fixed/removable bollards are designed to prevent an unauthorized access of vehicles to secured perimeter and provide the highest level of anti-terror protection. TISO RB343 bollard was successfully certified according to ASTM F2656/F2656M-15 and IWA 14-1:2013 standards.

That is reliable, durable, functional bollard to resist the impact. All of these factors put together, make this bollard a universal and effective vehicle access control solution.

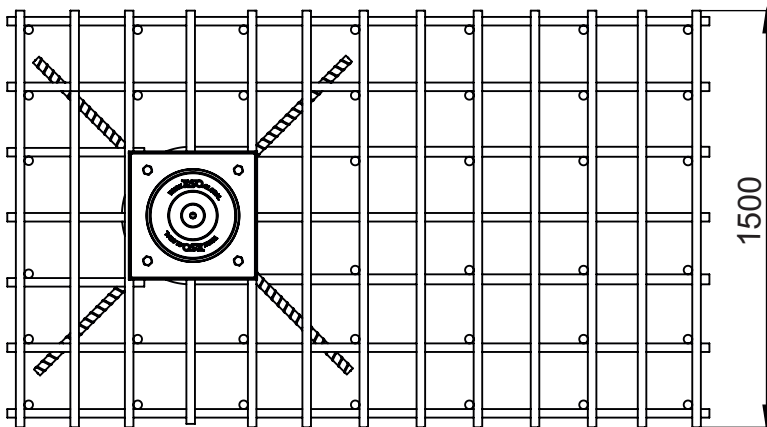
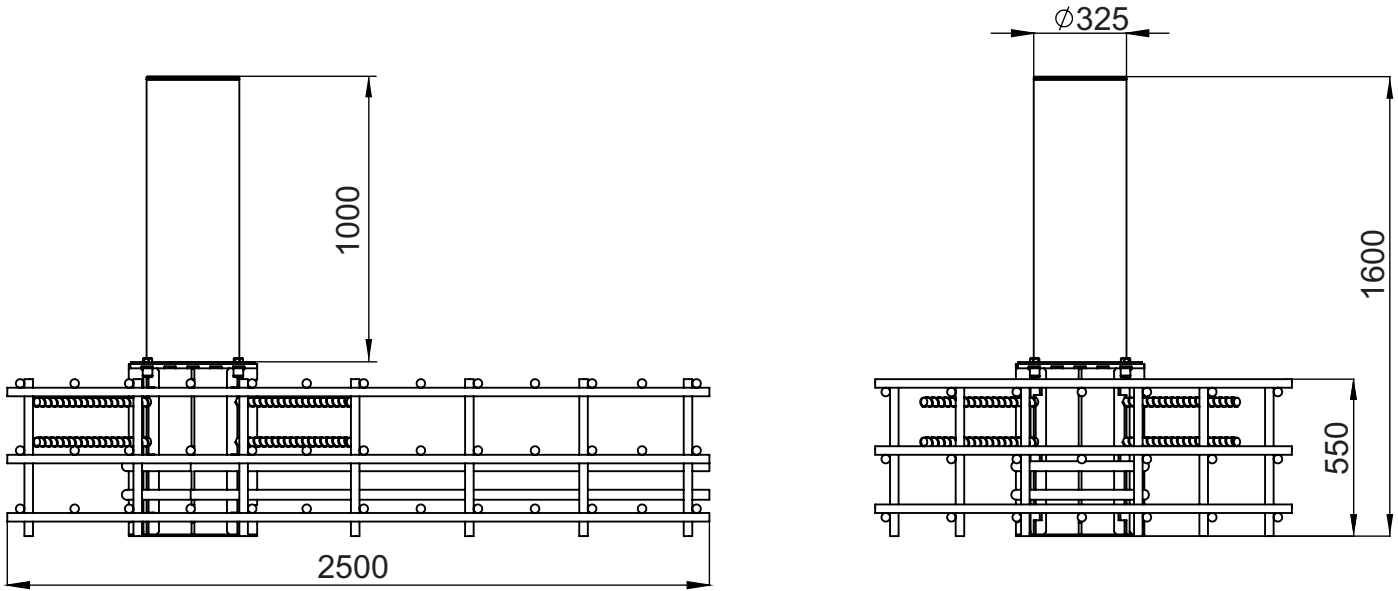
Installation areas

- Governmental Institutions
- Military Bases
- Nuclear Power Plants
- Production sites (Industrial Plants)
- Commercial areas
- Financial institutions
- Airport Premises
- Business (Office) Center
- Hotels
- Sport Complexes
- Recreation areas
- Urban areas
- Education Institutions



www.tiso.global
+380 (44) 291-21-11
e-mail: sales@tiso.global





TECHNICAL SPECS:

Model	RB343-68	RB343-68-F
Installation type	Removable	Fixed
Diameter, mm	325	
Height, mm	1000	
Wall thickness, mm	20	
Installation depth (with foundation case), mm	600	
Dimensions of underground structure, mm	2460x1460x550	
Materials	Epoxy polyurethane coating Stainless steel sleeve / casing up on request	





Contracting Client:
TISO PRODUCTION; LTD.
72; Yamska str.
03150 Kyiv
Ukraine

Certificate of passed Barrier Testing Programme



Type of Product:	Fixed Bollard „RB343-68-GH-15-0.1/0.1-032/100-140“
Test Standard:	ASTM F2656/F2656M-15 IWA 14-1:2013
Test Standard Classification:	ASTM: C750 IWA: N2B-80km/h
Test Date:	September 21, 2017
Vehicle Restrained:	yes
Vehicle Immobilized:	yes
Test Vehicle Kinetic Energy at Impact:	1841 kJ
Penetration Rating ASTM:	P2 (3.8 m)
Performance Rating IWA:	Bollard V/7200[N2B]/80/90:4.1
Underlying CTS-Test Report No.:	11523_3024_18815

Sincerely,

crashtest-service.com®
Amelunxenstraße 30 | 48167 Münster, Germany | Tel: +49 25 06 7 70 98 010
 Amelunxenstraße 30 | 48167 Münster, Germany | Tel: +49 25 06 7 70 98 090
 www.crashtest-service.com | www.crashtest-service.com
 Dipl.-Ing. Peter Schimmel
 (Managing Partner)

October 6, 2017

Amelunxenstraße 30, 48167 Münster, Germany

www.crashtest-service.com



www.tiso.global
+380 (44) 291-21-11
e-mail: sales@tiso.global

