

AUTOMATIC TRAFFIC BOLLARDS



RELIABLE, PRACTICAL AND COST-EFFECTIVE SOLUTION TO
PROVIDE 100% SECURITY OF YOUR TERRITORY

TiSO automatic parking bollards is the most demanded part of traffic barriers range, due to wide project applicability and installation simplicity. This type of TiSO equipment is engineered in order to provide maximum operation durability.

Range of TiSO automatic parking bollards include two types:

1) blocking segment with built in hydraulic unit and outside PLC;
2) blocking segment with outside control box including HPU and PLC in it.
Also the range is classified according to rising heights, tube's materials, diameters etc. Large amount of available accessories enables equipment operation under severe climate circumstances, both extreme above and below 0 C° temperatures. Having no high security features, parking bollards is the perfect choice for installations at private and other areas without strict requirement to antiterrorism protection. All equipment is designed and tested for high intensity operation.

Installation areas

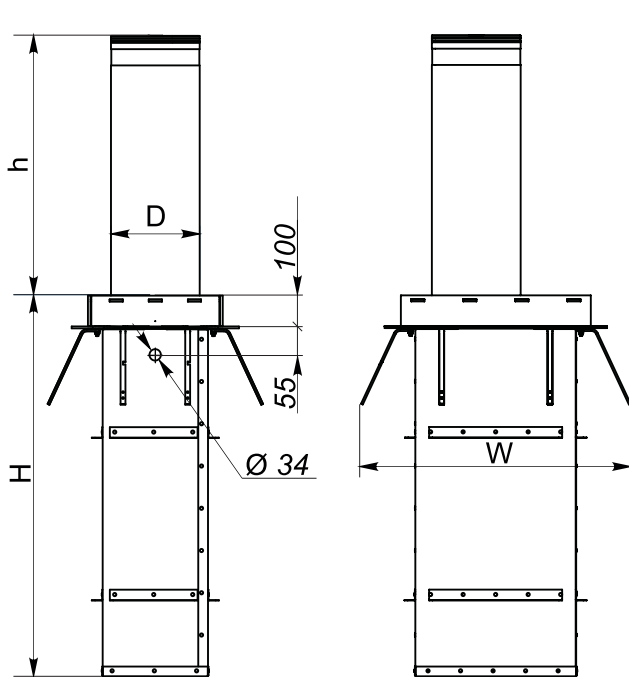
- Governmental Institutions
- Military Bases
- Nuclear Power Plants
- Production sites (Industrial Plants)
- Commercial areas
- Financial institutions
- Airport Premises
- Business (Office) Center
- Hotels
- Sport Complexes
- Recreation areas
- Urban areas
- Education Institutions



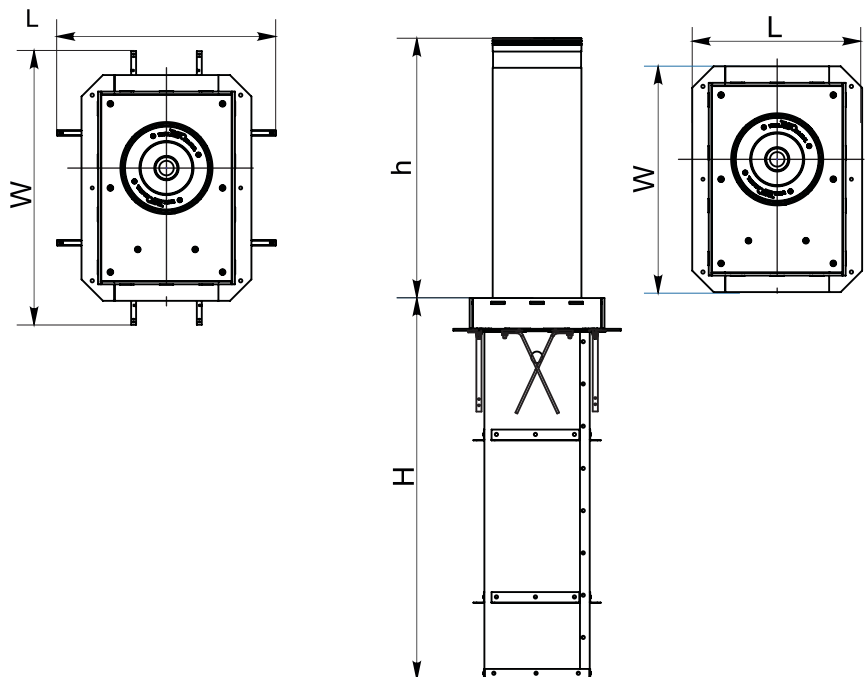
www.tiso.global
+380 (44) 291-21-11
e-mail: sales@tiso.global



Overall dimensions of the bollard with raised foundation anchors



Overall dimensions of the bollard with lowered foundation anchors



TECHNICAL SPECS*

Model	RB343-21	RB343-23	RB349-11	RB349-12	RB343-24	RB343-26	RB349-14	RB349-15
Drive	Hydraulic (HPU) / internal							
Tube diameter (D), mm	114	170	220	273	114	170	220	273
Tube height (h), mm	600				800			
Dimensions (LxWxH), mm with raised foundation anchors with lowered foundation anchors	610x755x980 460x610x980		660x830x980 515x685x980		610x755x1170 460x610x1170		660x830x1170 515x685x1170	
Wall thickness, mm	3	5	4	8	3	5	4	8
Impact resistance, J	10000	35000	40000	80000	15000	35000	45000	85000
Breakout resistance, J	60000	155000	160000	580000	65000	155000	165000	585000
Axle load, mm	15							
Rising time, sec (±1 s)	7,0			9,0				
Lowering time, sec (±1 s)	5,5			8,0				
Operation temperatures**, °C	-40 / +60							
MCBF, cycles	3 000 000							
Power supply	1 phase 230V, 50/60 Hz							
Protection level	IP 67 (for bollard), IP 55 (for contral box)							
Tube material	Brushed stainless steel AISI 304; brushed stainless steel AISI 316 Galvanized and powder coated tube (any RAL up on request)							

*technical data is subject to change without notice

**for temperatures lower than -10 °C use the heating device; for temperatures higher than +40 °C use the cooler device



www.tiso.global
+380 (44) 291-21-11
e-mail: sales@tiso.global

